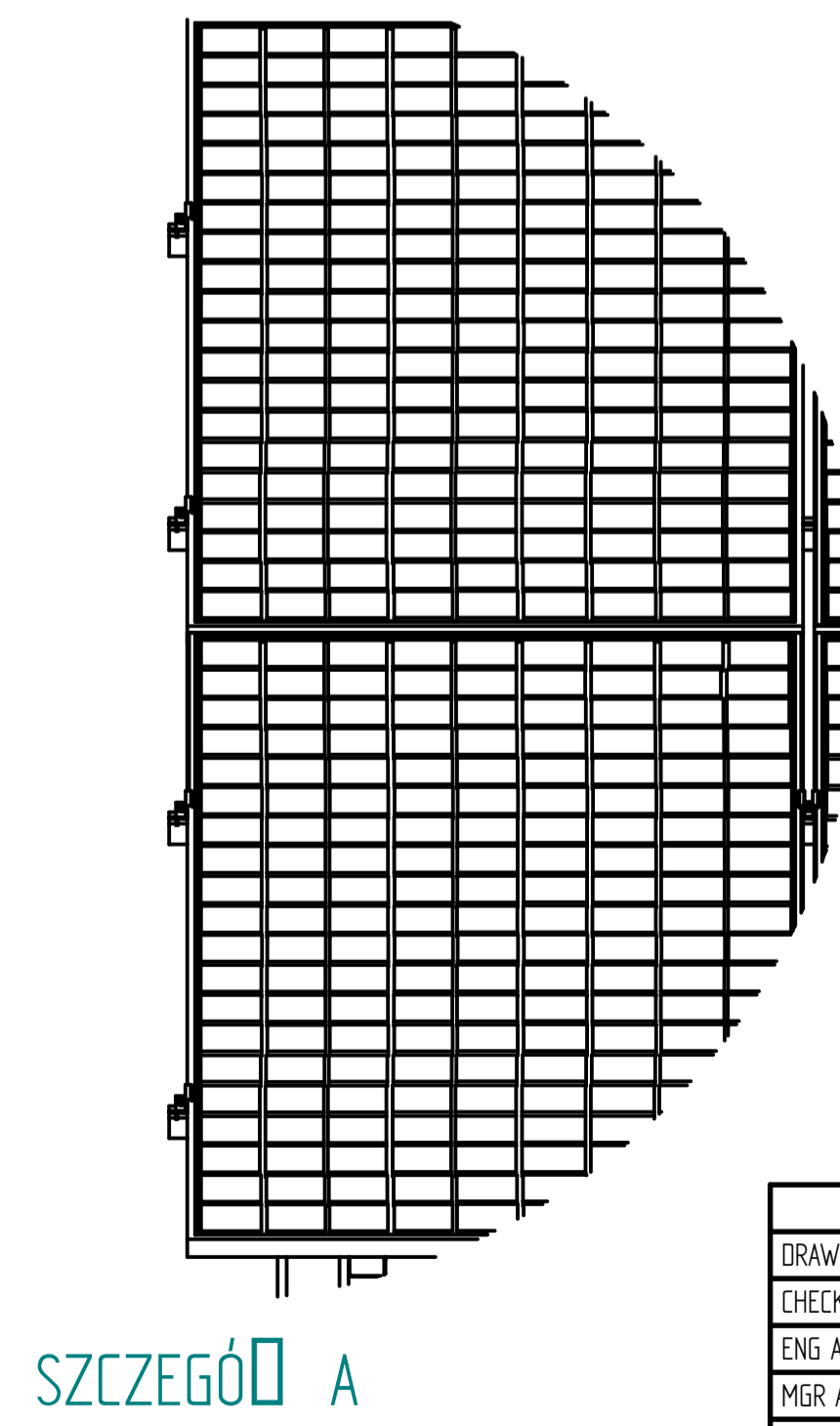
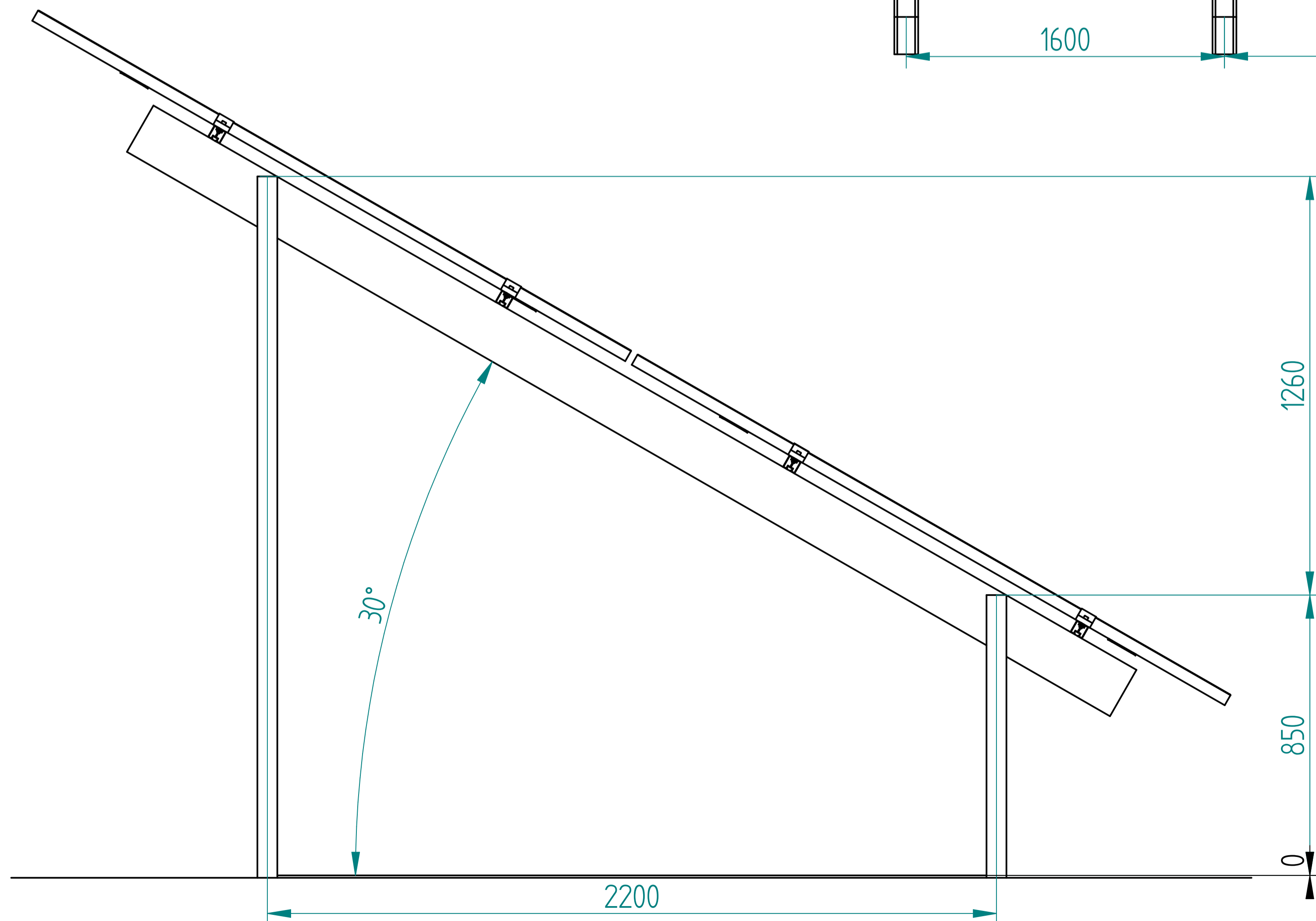
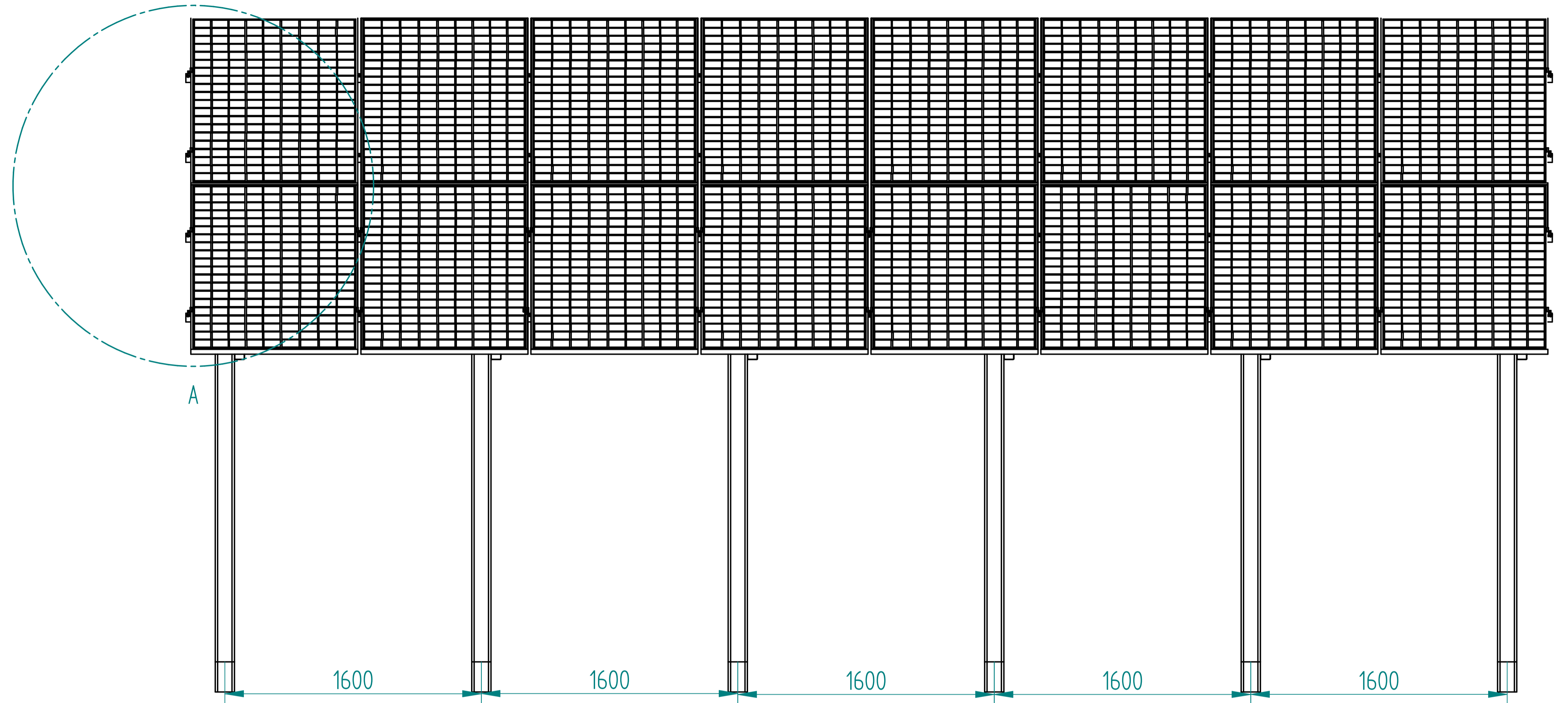


REVISION HISTORY			
REV	DESCRIPTION	DATE	APPROVED



NAME	DATE	UNAM Fotowoltaika	
DRAWN		TITLE	
CHECKED		Konstrukcja 16 paneli	
ENG APPR		SIZE	REV
MGR APPR		A1	
UNLESS OTHERWISE SPECIFIED DIMENSIONS ARE IN MILLIMETERS		FILE NAME: Konstrukcja 16 paneli pionowo Ddft	
ANGLES *XX*		SCALE:	WEIGHT:
2 PL *XXX 3 PL *XXXX		SHEET 1 OF 1	